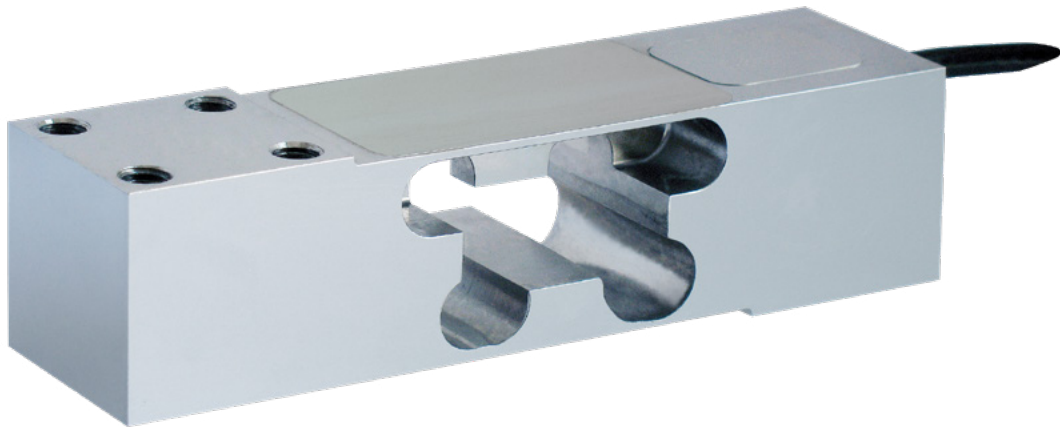


## Single Point Load Cell AXH with a Rated Load of 100 ... 500 kg



### Performance Features

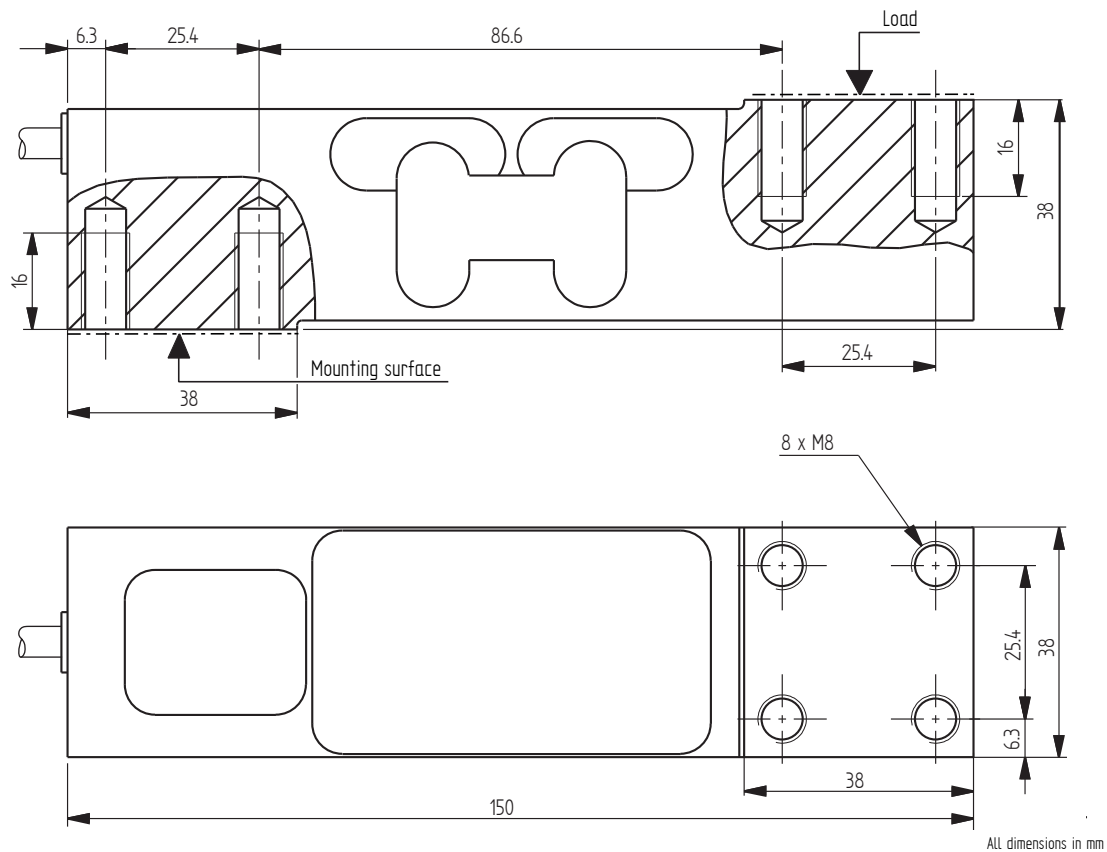
- Stainless steel single point load cell
- 3000d OIML R60 approved
- Level of protection: IP68
- Designed for platforms of maximum dimensions 600 mm x 600 mm (off-center load compensated)
- Ideally suited for single point scales in humid and corrosive environments
- ATEX 2014/34/EU version for hazardous area (option)

### Application

- Food industry
- Chemical/pharmaceutical industry
- Dosing equipment in humid and corrosive environments



## Dimensions in mm



Article-No.	Version	Rated load [kg]
112597	C3 10e	100
112598	C3 12e5	250
112599	C3 10e	500

## Connection Assignment

### Electrical Connection

Function	Wire Color	
Excitation (+)	Brown	●
Signal (+)	Yellow	●
Signal (-)	White	○
Excitation (-)	Green	●
Sense (+)	Gray	●
Sense (-)	Pink	●

## Technical Data

Type	AXH		
Version		C3 10e	C3 12e5
Rated load <b>E</b>	kg	100; 500	250
Maximum load for approved weighing <b>E<sub>max</sub></b>	kg	100; 500	250
Accuracy class OIML R60		C3	C3
Maximum numbers of load cell intervals <b>n<sub>max</sub></b>	d OIML	3000	3000
Minimum verification interval <b>v<sub>min</sub></b>	g	10; 50	20
Creep division factor $Z = E_{max}/2 \times DR$		3000	3000
Combined error	% E	±0.017	±0.017
Temperature coefficient of zero signal	% E/°C	±0.0014	±0.0012
Temperature coefficient of characteristic value	% E/°C	±0.0014	±0.0014
Load creep <b>d<sub>cr, F</sub></b> in 30 min.	% E	±0.025	±0.025
Zero balance	% E		±1
Rated output at E <b>C<sub>nom</sub></b>	mV/V		2 ±10 %
Rated range of excitation voltage <b>B<sub>U, nom</sub></b>	V		1 ... 15
Input resistance <b>R<sub>e</sub></b>	Ω		385 ±20
Output resistance <b>R<sub>a</sub></b>	Ω		350 ±5
Insulation resistance <b>R<sub>is</sub></b>	MΩ/50V		5000
Electrical connection			Cable, PVC, 3 m
Rated temperature range <b>B<sub>T, nom</sub></b>	°C		-10 ... 40
Operating temperature range <b>B<sub>T, G</sub></b>	°C		-20 ... 60
Limit load <b>E<sub>lim</sub></b>	% E <sub>max</sub>		150
Breaking load <b>E<sub>b</sub></b>	% E <sub>max</sub>		200
Tightening torque	Nm		30
Maximum platform dimension	mm		350 x 350
Level of protection			IP68
Material			Stainless Steel
Weight	kg		1.3

## Options

Article-No.	Description
111735	Protective coating
107798	ATEX 2014/34/EU, IECEx: ex II 1 G/D, Ex ia IIC T6 Ga, Ex ia IIIC T80 °C Da, IP6X, -20 °C < Ta < +60 °C (zones gaz 0/1/2, dust 20/21/22)
115049	ATEX 2014/34/EU, IECEx: ex II 1 D, Ex ta IIIC T125 °C Da, IP6X, -20 °C < Ta < +60 °C (zones dust 20/21/22)
115048	ATEX 2014/34/EU, IECEx: ex II 3 G, Ex nA IIC T6 Gc, -20 °C < Ta < +60 °C (zone gaz 2)

## Accessories

### Electrical Connection

Article-No.	Description
10323	Male cable connector KS6 (6-pin, Series 581) incl. mounting
10320	Male cable connector KSSH15 (15-pin) incl. mounting
43418	Input connector ZA9612FS (ALMEMO) incl. sensor mounting and connector calibration
49205	Input connector ZKD712FS (ALMEMO 202) incl. sensor mounting and connector calibration

## Accessories (continued)

### Weighing Electronics

ALCJB-A	CPJ/CPJ2S	IPE50 Panel
 The image shows a white plastic terminal block with a central grey section. It has two rows of screw terminals on the front and two rows of green PCB headers on the back. The top cover is partially open, revealing the internal wiring.	 The image shows a green plastic terminal block with a vertical orientation. It has a single row of screw terminals on the front and a green PCB header on the back.	 The image shows a black and blue industrial panel. It features a red LED display showing '30.000', several push buttons, and a small indicator light. The panel is mounted on a blue base.

Further suitable accessories you can find on our homepage under:

[https://www.lorenz-messtechnik.de/english/products/lc\\_weighing-electronics.php](https://www.lorenz-messtechnik.de/english/products/lc_weighing-electronics.php)